

Type VE/B directional solenoid valves

- Two way
- With emergency
- Pilot operated

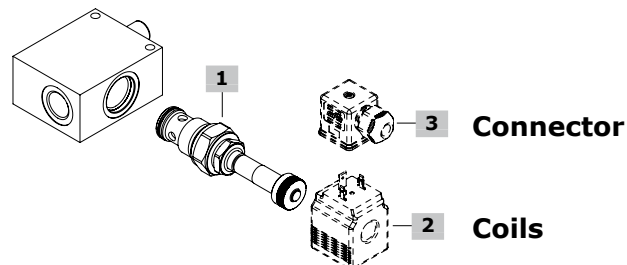
Port size
VE/B 14/NA

Type	Selection 1	Selection 2	Nominal flow	Max. pressure	ports	weight
			l/min(US gpm)	bar(psi)		Kg(lb)
VE/B 14	NA/NC	-	20(5.3)	210(3050)	All G1/4	0.39(0.86)
VE/B 14 ac			20(5.3)	350(5100)	All G1/4	0.77(1.70)
VE/B 38			40(10.6)	210(3050)	All G3/8	0.39(0.86)
VE/B 38 ac			40(10.6)	350(5100)	All G3/8	0.74(1.63)
VE/B 12			60(15.8)	210(3050)	All G1/2	1.10(2.43)
VE/B 12 ac			60(15.8)	350(5100)	All G1/2	1.93(4.25)
VE/B 34			70(19.8)	210(3050)	All G3/4	1.08(2.38)
VE/B 34 ac			70(19.8)	350(5100)	All G3/4	1.85(4.08)
VE/B 100			160(42.3)	210(3050)	All G1"	1.58(3.48)
VE/B 100 ac			160(42.3)	350(5100)	All G1"	2.90(6.39)

Hydraulic diagram	Type	Execution	Operation/ Features	Max. flow up to		Max.press. up to	
				l/min	US gpm	bar	psi
	VE/B	2 way	pilot operated with emergency	160	42.3	210 alum. body 350 steel body	3050 alum. body 5100 steel body

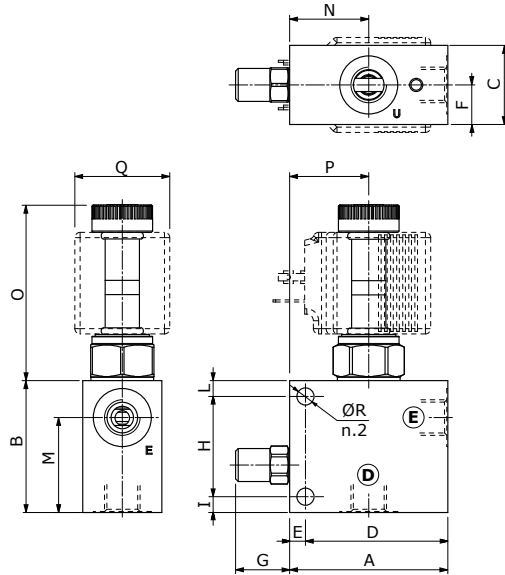
Ordering codes and description

Port size
VE/B 14/NA
1



Selection 1

Type	DESCRIPTION
NA	Normally open valve
NC	Normally closed valve

Dimensions


Dimensions are in mm-in

Valve type	A	B	C	D	E	F	G	H	I	L	M	N	O		P	Q	ØR
													(NA)	(NC)			
VE/B 14	60	50	30	54	6	15	20	38	6	6	36	30	66.7	62.8	30	36	6.5
	2.36	1.97	1.18	2.13	0.236	0.59	0.79	1.50	0.236	0.236	1.42	1.18	2.63	2.47	1.18	1.42	0.256
VE/B 38	60	50	30	54	6	15	20	38	6	6	36	30	66.7	62.8	30	36	6.5
	2.36	1.97	1.18	2.13	0.236	0.59	0.79	1.50	0.236	0.236	1.42	1.18	2.63	2.47	1.18	1.42	0.256
VE/B 12	80	65	40	74	6	20	23	53	6	6	43	40	86.4	81	40	36.5	6.5
	3.15	2.56	1.57	2.91	0.236	0.79	0.91	2.09	0.236	0.236	1.69	1.57	3.40	3.19	1.57	1.44	0.256
VE/B 34	80	65	40	74	6	20	23	53	6	6	43	40	86.4	81	40	36.5	6.5
	3.15	2.56	1.57	2.91	0.236	0.79	0.91	2.09	0.236	0.236	1.69	1.57	3.40	3.19	1.57	1.44	0.256
VE/B 100	90	80	50	82.5	7.5	25	23	65	7.5	7.5	49	43	79.4	74.2	43	36.5	8.5
	3.54	3.15	1.97	3.25	0.295	0.98	0.91	2.56	0.295	0.295	1.93	1.69	3.13	2.92	1.69	1.44	0.335

Rating diagrams
