

Type VRFU90 needle valves

- With check valve

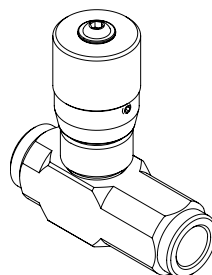
Port size
VRFU90 01

Type	Selection 1	Selection 2	Nominal flow	Max. pressure	ports	weight
			l/min(US gpm)	bar(psi)		Kg(lb)
VRFU9001	-	-	30(7.9)	350(5100)	All G1/4	0.40(0.88)
VRFU9002			40(10.6)	350(5100)	All G3/8	0.41(0.9)
VRFU9003			50(23.8)	350(5100)	All G1/2	0.58(1.28)
VRFU9004			80(21.1)	320(4600)	All G3/4	1.39(3.06)
VRFU9005			110(29.1)	300(4350)	All G1"	1.36(3)

Hydraulic diagram	Type	Execution	Operation/ Features	Max. flow up to		Max.press. up to	
				l/min	US gpm	bar	psi
	VRFU90	2 way	with check valve	180	47.6	350 steel body	5100 steel body

Ordering codes and description

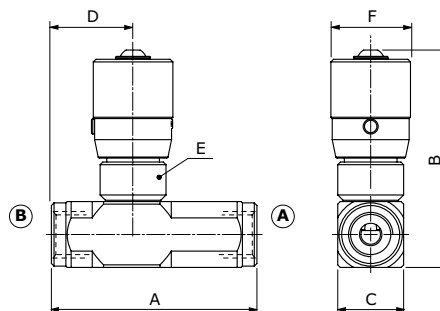
Port size
VRFU90 01



Dimensions

Dimensions are in mm-in

Valve type	All ports	A	B	C	D	E	F
VRFU9001	G1/4	75 - 2.95	82 - 3.23	25 - 0.98	29 - 1.14	M25X1.5	30 - 1.18
VRFU9002	G3/8	78 - 3.07	82 - 3.23	25 - 0.98	31 - 1.22	M25X1.5	30 - 1.18
VRFU9003	G1/2	93 - 3.66	88 - 3.46	30 - 1.18	33.5 - 1.32	M25X1.5	30 - 1.18
VRFU9004	G3/4	110 - 4.33	116 - 4.57	40 - 1.57	41.5 - 1.63	M35X1.5	42 - 1.65
VRFU9005	G1	135 - 5.31	116 - 4.57	40 - 1.57	44.5 - 1.75	M35X1.5	42 - 1.65



Rating diagrams

