

Type VRDE..A pilot operated check valves

- Double acting
- DIN 2353

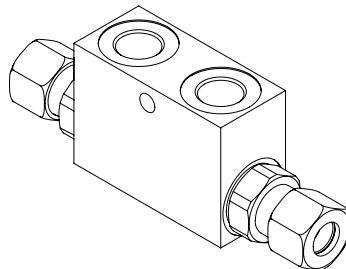
Port size
VRSE 02 A

Type	Selection 1	Selection 2	Nominal flow	Max. pressure	ports	weight
			l/min(US gpm)	bar(psi)		Kg(lb)
VRDE01A	P4.5 P4	PaXX	30 (7.9)	350 (5100)	G1/4 M12-0,49	0.67 (1.48)
VRDE015A			30 (7.9)	350 (5100)	G3/8 M12-0.47	0.66 (1.45)
VRDE02A			50 (13.2)	300 (4350)	G3/8 M15-0.59	0.97 (2.14)
VRDE025A			50 (13.2)	300 (4350)	G1/2 M15-0.59	0.91 (2.01)
VRDE03A			80 (21.1)	300 (4350)	G1/2 M18-0.71	1.67 (3.68)

Hydraulic diagram	Type	Execution	Operation/ Features	Max. flow up to		Max.press. up to	
				l/min	US gpm	bar	psi
	VRDE..A		double acting DIN2353	80	21.1	350 steel body	5100 steel body

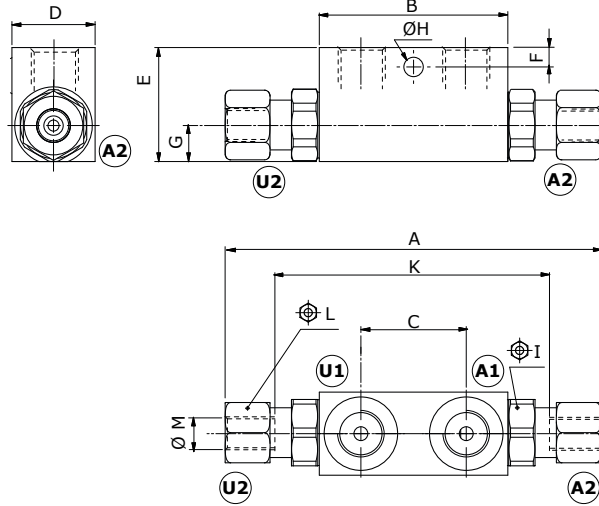
Ordering codes and description

Port size
VRDE 02 A



Dimensions

Valve type	A1-U1	A2-U2 (Ø M)
VRDE01A	G1/4	12-0.47
VRDE015A	G3/8	12-0.47
VRDE02A	G3/8	15-0.59
VRDE025A	G1/2	15-0.59
VRDE03A	G1/2	18-0.71

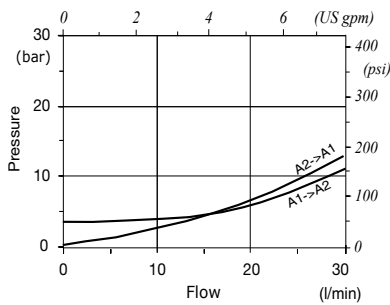


Dimensions are in mm-in

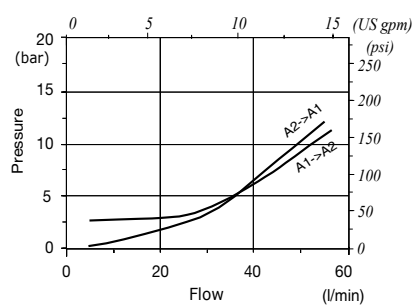
Valve type	A	B max.	C	D	E	F	G	ØH	ØI	ØL	K
VRDE01A	138-5.43	68-2.68	38-1.50	30-1.18	40-1.57	7-0.27	13-0.51	8-0.31	24	22	86-3.38
VRDE 015A	138-5.43	68-2.68	38-1.50	30-1.18	40-1.57	7-0.27	13-0.51	8-0.31	24	22	86-3.38
VRDE02A	166-6.53	80-3.15	40-1.57	30-1.18	50-1.97	15-0.59	16-0.63	8.5-0.33	27	27	108-4.25
VRDE025A	166-6.53	80-3.15	40-1.57	30-1.18	50-1.97	15-0.59	16-0.63	8.5-0.33	27	27	108-4.25
VRDE03A	180-7.09	90-3.54	40-1.57	40-1.57	60-2.36	15-0.59	20-0.79	8.5-0.33	30	32	133-5.24

Rating diagrams

VRDE01A pressure drop vs. flow



VRDE02A pressure drop vs. flow



VRDE03A pressure drop vs. flow

