

Type VRPRL pressure reducing valves

- With relieving

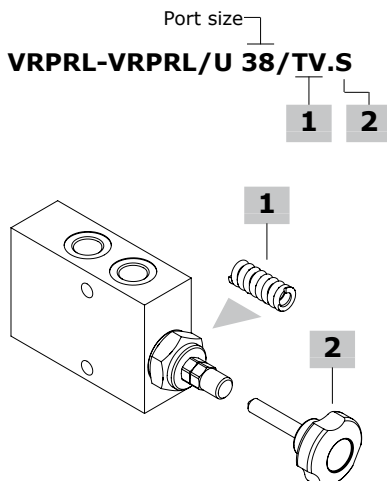
Port size \downarrow

VRPRL-VRPRL/U 38/TV.S

Type	Selection 1	Selection 2	Nominal flow	Max. pressure	ports	weight
			l/min(US gpm)	bar(psi)		Kg(lb)
VRPRL 38	TB/TV/TS	V/S	20(5.3)	210(3050)	All G3/8	0.83(1.83)
VRPRL 38 ac			20(5.3)	350(5100)	All G3/8	1.75(3.86)
VRPRL 38/SAE			20(5.3)	210(3050)	All SAE8	0.83(1.83)
VRPRL 38/SAE ac			20(5.3)	350(5100)	All SAE8	1.75(3.86)
VRPRL 12			50(13.2)	210(3050)	All G1/2	1.20(2.64)
VRPRL 12 ac			50(13.2)	350(5100)	All G1/2	2.58(5.69)
VRPRL 12/SAE			50(13.2)	210(3050)	All SAE10	1.20(2.64)
VRPRL 12/SAE ac			50(13.2)	350(5100)	All SAE10	2.58(5.69)

Hydraulic diagram	Type	Execution	Operation/ Features	Max. flow up to		Max.press. up to	
				l/min	US gpm	bar	psi
	VRPRL		with relieving and reverse free-flow check	50	13.2	210 Alum. Body 350 Steel body	3050 Alum. Body 5100 Steel body

Ordering codes and description

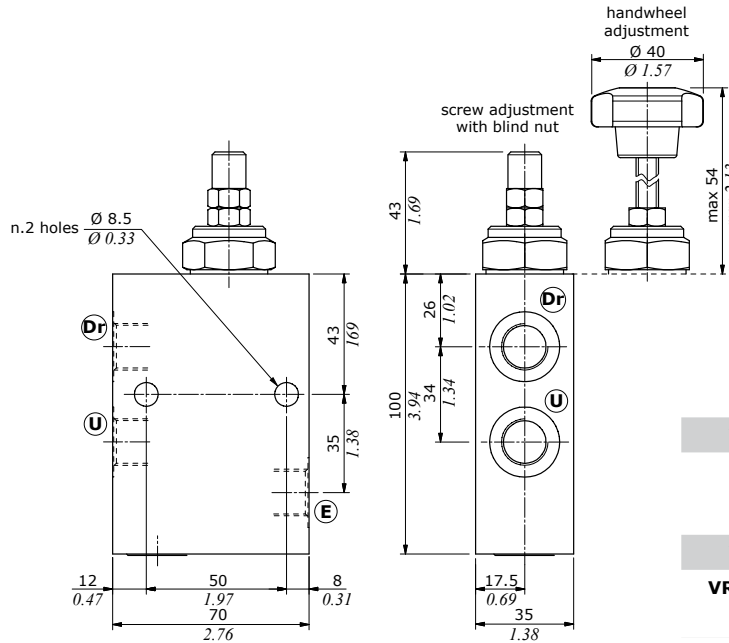


Selection 1

Spring Type	Setting range
	bar(psi)
For VRPRL 38 valve	
TB	5-50 (72.5-725)
TV	40-110(580-1600)
TS	100-200(1450-2900)
For VRPRL 12 valve	
TB	5-50 (72.5-725)
TV	40-110(580-1600)
TS	100-200(1450-2900)

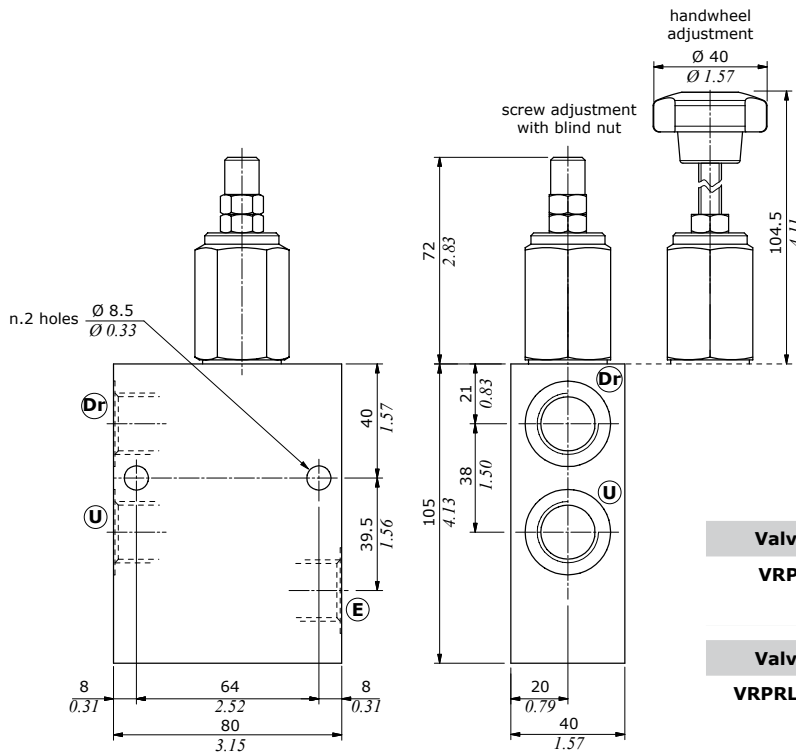
Selection 2

TYPE	DESCRIPTION
	bar(psi)
V	Handwheel
S	Blind nut

VRPRL
Dimensions


Valve type	All ports
VRPRL 38	G3/8

Valve type	All ports
VRPRL 38/SAE	SAE8



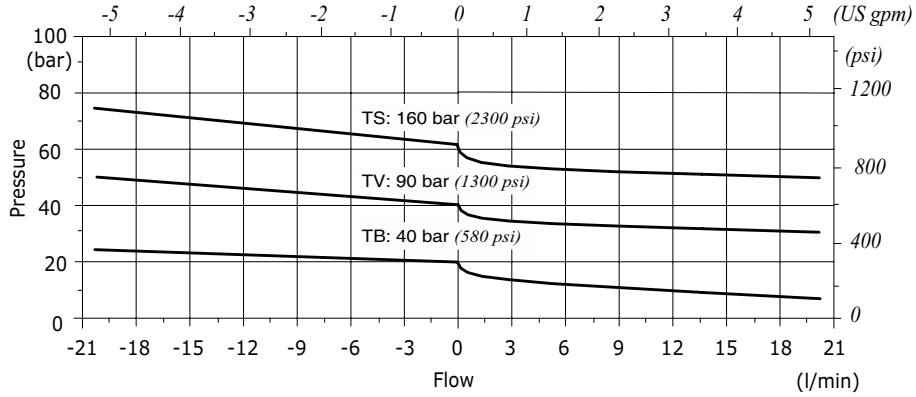
Valve type	All ports
VRPRL 12	G1/2

Valve type	All ports
VRPRL 12/SAE	SAE10

Rating diagrams

VRPRL-VRPRL/U 38

Relieving diagram from U to Dr Pressure vs. Flow from E to U



VRPRL-VRPRL/U 12

Relieving diagram from U to Dr Pressure vs. Flow from E to U

