



## Type VMPP/B/L Pressure relief valves

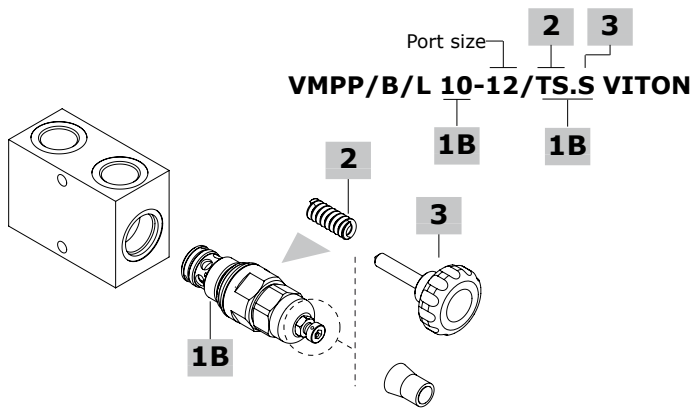
- Piloted operated

Port size — Selection 1 Selection 2  
**VMPP/B/L 10-12/TS.S VITON** - aluminium  
 ac=steel

Type	Selection 1	Selection 2	Nominal flow		ports	weight	
			l/min(US gpm)	bar(psi)		Kg(lb)	
VMPP/B/L 10-12	TB/TV/TS/TR	W/VZ	70(18.5)	210(3050)	All G1/2	0.66(1.46)	
VMPP/B/L 10-12 /SAE			70(18.5)	350(5100)	All SAE10	0.66(1.46)	
VMPP/B/L 10-12 ac			70(18.5)	210(3050)	All G1/2	1.39(3.06)	
VMPP/B/L 10-12 /SAE ac			70(18.5)	350(5100)	All SAE10	1.39(3.06)	
VMPP/B/L 20-34			120(31.7)	210(3050)	All G3/4	1.27(2.80)	
VMPP/B/L 20-34/SAE			120(31.7)	350(5100)	All SAE12	1.27(2.80)	
VMPP/B/L 20-34 ac			120(31.7)	210(3050)	All G3/4	2.60(5.73)	
VMPP/B/L 20-34/SAE ac			120(31.7)	350(5100)	All SAE12	2.60(5.73)	
VMPP/B/L 20-100			120(31.7)	210(3050)	All G1"	1.85(4.08)	
VMPP/B/L 20-100/SAE			120(31.7)	350(5100)	All SAE16	1.85(4.08)	
VMPP/B/L 20-100 ac			120(31.7)	210(3050)	All G1"	4.16(9.17)	
VMPP/B/L 20-100/SAE ac			120(31.7)	350(5100)	All SAE16	4.16(9.17)	
VMPP/B/L 45-114			250(66)	210(3050)	All G1"1/4	2.73(6.02)	
VMPP/B/L 45-114/SAE			250(66)	350(5100)	All SAE20	2.73(6.02)	
VMPP/B/L 45-114 ac			250(66)	210(3050)	All G1"1/4	6.12(13.49)	
VMPP/B/L 45-114/SAE ac			250(66)	350(5100)	All SAE20	6.12(13.49)	

Hydraulic diagram	Type	Execution	Operation/ Features	Max. flow up to		Max. press. up to	
				l/min	US gpm	bar	psi
	VMPP/B/L		pilot operated	250	66	210 Alum. Body 350 Steel body	3050 Alum. Body 5100 Steel body

Ordering codes and description



Selection 1

TYPE	DESCRIPTION
	bar(psi)
<b>For VMP 5, VMP 5J valve</b>	
TB	5-40(72.5-580)
TV	20-80(290-1160)
TS	50-220(725-3200)
TR	180-350(2600-5100)

Selection 2

TYPE	DESCRIPTION
<b>For VMPP 10 and VMPP 20 valves</b>	
W	Standard, screw type
V	Handwheel
Z	Antitamper cap

Dimensions

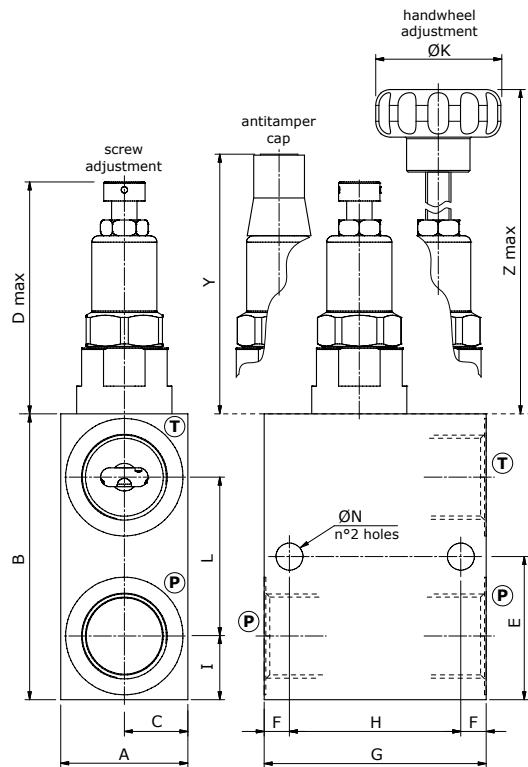
Valve type	All ports	Valve type	All ports
VMPP/B/L 10-12	G1/2	VMPP/B/L 10-12/SAE	SAE10
VMPP/B/L 20-34	G3/4	VMPP/B/L 20-34/SAE	SAE12
VMPP/B/L 20-100	G1"	VMPP/B/L 20-100/SAE	SAE16
VMPP/B/L 45-114	G1 1/4	VMPP/B/L 45-114/SAE	SAE20

Dimensions are in mm-in

Valve type	A	B	C	D max	E	F
VMPP/B/L 10-12	35-1.38	78-3.07	17.5-0.69	74.3-2.96	39-1.53	6-0.24
VMPP/B/L 10-12/SAE						
VMPP/B/L 20-34	50-1.97	100-3.94	25-0.98	77.5-3.05	50-1.97	8-0.31
VMPP/B/L 20-34/SAE						
VMPP/B/L 20-100	60-2.36	120-4.72	30-1.18	77.5-3.05	63-2.48	10-0.39
VMPP/B/L 20-100/SAE						
VMPP/B/L 45-114	70-2.75	135-5.31	35-1.38	94.5-3.72	70-2.75	10-0.39
VMPP/B/L 45-114/SAE						

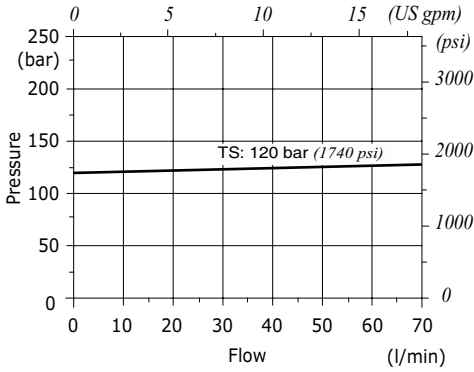
G	H	I	L	ØN	Y	ØK	Z max
70-2.75	58-2.28	20-0.79	40-1.57	6.5-0.25	25.5-1	40-1.57	56-2.2
70-2.75	54-2.12	22-0.87	57-2.44	8.5-0.33	25.5-1	40-1.57	56-2.2
85-3.34	65-2.56	30-1.18	65-2.56	8.5-0.33	25.5-1	40-1.57	56-2.2
100-3.94	80-3.15	35-1.38	68-2.68	10.5-0.41	28-1.10	40-1.57	56-2.20



Rating diagrams

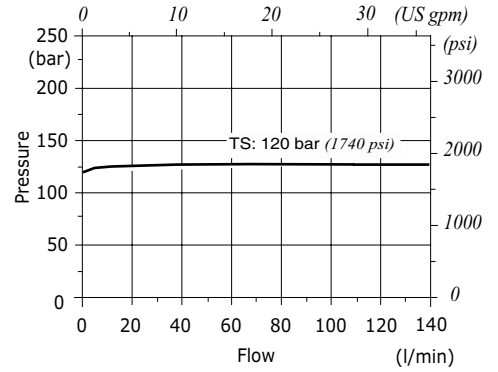
**VMPP/B/L 10-12 pressure vs. flow**

Std. setting @ 10 l/min (2.64 US gpm)



**VMPP/B/L 20 34-100 pressure vs. flow**

Std. setting @ 10 l/min (2.64 US gpm)



**VMPP/B/L 45-114 pressure vs. flow**

Std. setting @ 5 l/min (1.32 US gpm)

