

Type VMP/B/L Pressure relief valves

- Direct acting

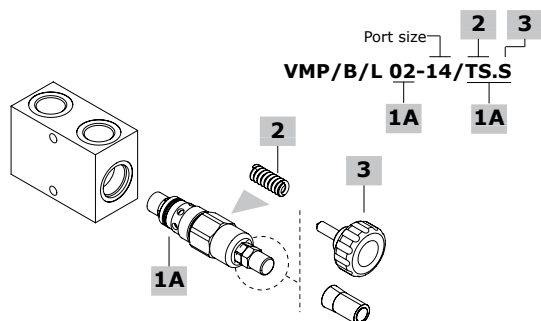
Port size Selection 1 Selection 2
VMP/B/L 02-14/TS.S - aluminium
 ac=steel

Type	Selection 1	Selection 2	Nominal flow	Max. pressure	Ports	Weight		
			l/min(US gpm)	bar(psi)		Kg(lb)		
VMP/B/L 02-14	TB/TV/TS/TR	G/S/V/X	5 (1.3)	210(3050)	G1/4	0.21(0.46)		
VMP/B/L 02-14/SAE			5 (1.3)	210(3050)	SAE6	0.21(0.46)		
VMP/B/L 02-14 ac			5 (1.3)	350(5100)	G1/4	0.99(2.18)		
VMP/B/L 02-14/SAE ac			5 (1.3)	350(5100)	SAE6	0.99(2.18)		
VMP/B/L 03-14					10(2.6)	210(3050)	G1/4	0.40(0.88)
VMP/B/L 03-14/SAE					10(2.6)	210(3050)	SAE6	0.40(0.88)
VMP/B/L 03-14 ac					10(2.6)	350(5100)	G1/4	0.85(1.87)
VMP/B/L 03-14/SAE ac					10(2.6)	350(5100)	SAE6	0.85(1.87)
VMP/B/L 5-38					35(9.2)	210(3050)	G3/8	0.48(1.06)
VMP/B/L 5-38/SAE					35(9.2)	210(3050)	SAE8	0.48(1.06)
VMP/B/L 5-38 ac					35(9.2)	350(5100)	G3/8	1.08(2.38)
VMP/B/L 5-38/SAE ac					35(9.2)	350(5100)	SAE8	1.08(2.38)
VMP/B/L 5-12					35(9.2)	210(3050)	G1/2	0.46(1.01)
VMP/B/L 5-12/SAE					35(9.2)	210(3050)	SAE10	0.46(1.01)
VMP/B/L 5-12 ac					35(9.2)	350(5100)	G1/2	0.99(2.18)
VMP/B/L 5-12/SAE ac					35(9.2)	350(5100)	SAE10	0.99(2.18)
VMP/B/L 5Y-38					35(9.2)	210(3050)	G3/8	0.47(1.04)
VMP/B/L 5Y-38/SAE					35(9.2)	210(3050)	SAE8	0.47(1.04)
VMP/B/L 5Y-38 ac					35(9.2)	350(5100)	G3/8	-
VMP/B/L 5Y-38SAE ac					35(9.2)	350(5100)	SAE8	-
VMP/B/L 10-12					60(16)	210(3050)	G1/2	0.66(1.46)
VMP/B/L 10-12/SAE					60(16)	210(3050)	SAE10	0.66(1.46)
VMP/B/L 10-12 ac					60(16)	350(5100)	G1/2	1.4(3.09)
VMP/B/L 10-12/SAE ac					60(16)	350(5100)	SAE10	1.4(3.09)
VMP/B/L 10-34					60(16)	210(3050)	G3/4	0.76(1.68)
VMP/B/L 10-34/SAE					60(16)	210(3050)	SAE12	0.76(1.68)
VMP/B/L 10-34 ac					60(16)	350(5100)	G3/4	1.67(3.68)
VMP/B/L 10-34/SAE ac					60(16)	350(5100)	SAE12	1.67(3.68)
VMP/B/L 20-34					100(26.4)	210(3050)	G3/4	1.18(2.60)
VMP/B/L 20-34/SAE					100(26.4)	210(3050)	SAE12	1.18(2.60)
VMP/B/L 20-34 ac					100(26.4)	350(5100)	G3/4	2.52(5.56)
VMP/B/L 20-34/SAE ac					100(26.4)	350(5100)	SAE12	2.52(5.56)

Code	Selection 1	Selection 2	Nominal flow	Max. pressure	Ports	Weight
			l/min(US gpm)	bar(psi)		Kg(lb)
VMP/B/L 20-100	TB/TV/TS/TR	G/S/V/X	100(26.4)	210(3050)	G1"	1.77(3.90)
VMP/B/L 20-100/SAE			100(26.4)	210(3050)	SAE16	1.77(3.90)
VMP/B/L 20-100 ac			100(26.4)	350(5100)	G1"	4.08(8.99)
VMP/B/L 20-100/SAE ac			100(26.4)	350(5100)	SAE16	4.08(8.99)

Hydraulic diagram	Type	Execution	Operation/ Features	Max. flow up to		Max. press. up to	
				l/min	US gpm	bar	psi
	VMP/B/L		Direct acting	100	26.4	210 Alum. Body 350 Steel body	3050 Alum. Body 5100 Steel body

Ordering codes and description



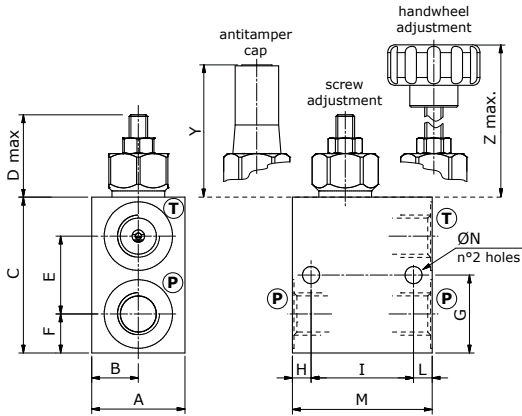
Selection 2

TYPE	DESCRIPTION
For VMP 02 valve	
G	Standard, screw type
V	Handwheel
X	Antitamper cap
For VMP 5, VMP 10 valve	
S	Standard, screw type
V	Handwheel
X	Antitamper cap
For VMP 20 valve	
S	Standard, screw type
V	Handwheel
X	Antitamper cap

Selection 1

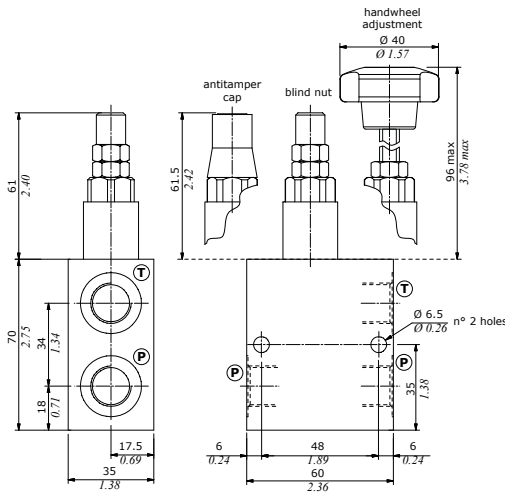
TYPE	DESCRIPTION
bar(psi)	
For VMP 02 valve	
TV	5-80(72.5-1160)
TS	50-220(725-3200)
TR	180-350(2600-5100)
For VMP 5, VMP 5J valve	
TB	5-40(72.5-580)
TV	20-80(290-1160)
TS	50-220(725-3200)
TR	180-350(2600-5100)
For VMP 5Y valve	
TB	5-80(72.5-1160)
TV	40-150(580-2200)
TS	140-190(2600-5100)
TR	180-350(2600-5100)
For VMP 10 valve	
TB	5-40(72.5-580)
TV	20-80(290-1160)
TS	50-220(725-3200)
TR	180-350(2600-5100)
For VMP 10Y valve	
TV	100-160(1450-3220)
TS	125-250(1800-3600)
TR	200-315(2900-4600)
For VMP 20 valve	
TB	5-40(72.5-580)
TV	20-80(290-1160)
TS	20-220(725-3200)
TR	180-350(2600-5100)
For VMP 20Y valve	
TV	100-160(1450-3220)
TS	120-250(1800-3600)
TR	200-315(2900-4600)

Dimensions



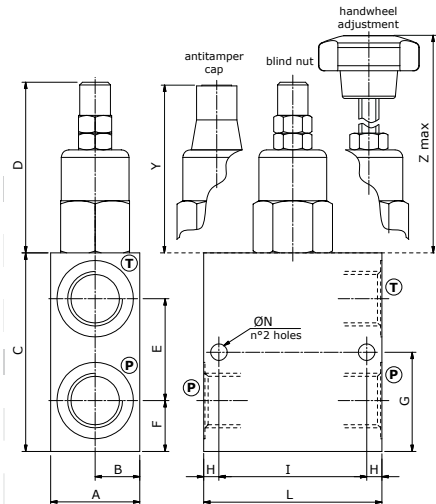
Dimensions are in mm-in

Valve type	A	B	C	D max	E	F	
VMP/B/L 02-14	30-1.18	15-0.59	50-1.97	29-1.14	25-0.98	12.5-0.49	
VMP/B/L 02-14/SAE							
VMP/B/L 03-14	30-1.18	15-0.59	60-2.36	53-2.09	32-1.26	14-0.55	
VMP/B/L 03-14/SAE							
G	H-L	I	M	ØN	Y	ØK	Z max
25-0.98	6-0.24	33-1.30	45-1.77	5.5-0.22	42.5-1.67	30-1.18	49-1.93
30-1.18	6-0.24	48-1.89	60-2.98	6.5-0.25	52-2.05	40-1.57	86.5-3.41



Dimensions are in mm-in

- VMP/B/L 5-38
- VMP/B/L 5-38/SAE
- VMP/B/L 5-12
- VMP/B/L 5-12/SAE
- VMP/B/L 5Y-38
- VMP/B/L 5Y-38/SAE
- VMP/B/L 5Y-12
- VMP/B/L 5Y-12/SAE

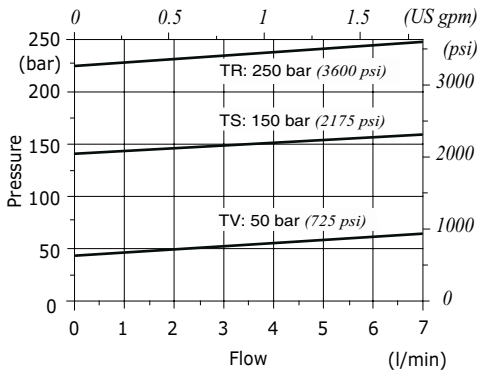


Dimensions are in mm-in

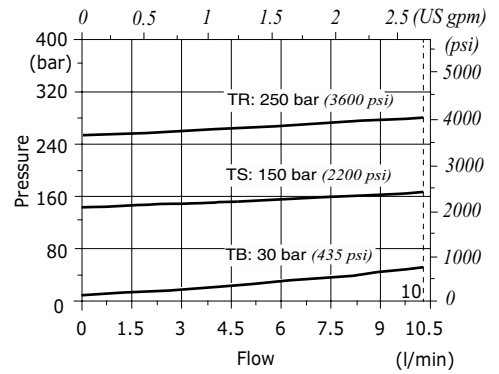
Valve type	A	B	C	D	E	E		
VMP/B/L 10-12	35-1.38	17.5-0.69	78-3.07	67-2.64	40-2.28	40-2.28		
VMP/B/L 10-12/SAE								
VMP/B/L 10-34	40-1.57	20-0.79	90-3.54	67-2.64	50-1.97	50-1.97		
VMP/B/L 10-34/SAE								
VMP/B/L 20-34	50-1.97	25-0.98	100-3.94	76.5-3.01	57-2.24	57-2.24		
VMP/B/L 20-34/SAE								
VMP/B/L 20-100	60-3.34	30-1.18	120-4.72	76.5-3.01	65-2.56	65-2.56		
VMP/B/L 20-100/SAE								
F	G	H	I	L	ØN	ØK	Y	Z max
20-0.79	39-1.53	6-0.24	70-2.75	58-2.28	6.5-0.25	40-1.57	64.7-2.55	98-3.59
20-0.79	45-1.77	8-0.31	70-2.75	54-2.12	8.5-0.33	40-1.57	64.7-2.55	98-3.59
22-0.87	50-1.97	8-0.31	70-2.75	54-2.12	8.5-0.33	40-1.57	74-2.91	89.5-3.52
30-1.18	63-2.48	10-0.39	85-3.34	65-2.56	8.5-0.33	40-1.57	74-2.91	89.5-3.52

Rating diagrams
VMP/B/L 02-14 pressure vs. flow

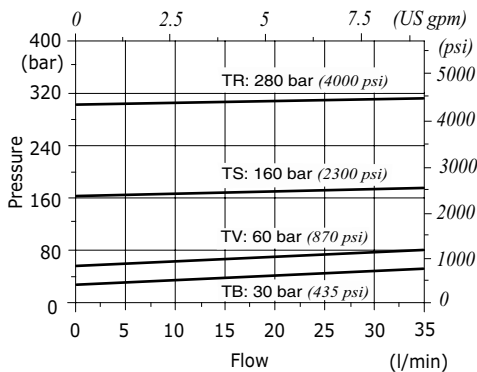
Std. setting @ 3 l/min (0.79 US gpm)


VMP/B/L 03-14 pressure vs. flow

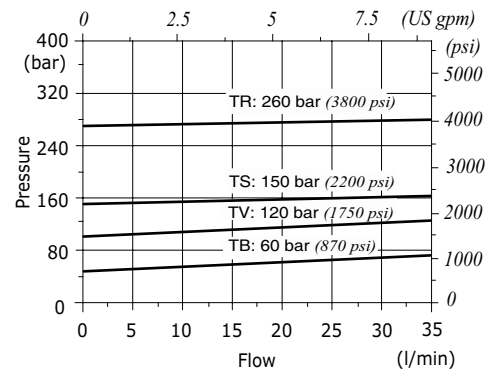
Std. setting @ 5 l/min (1.32 US gpm)


VMP/B/L 5 38-12 pressure vs. flow

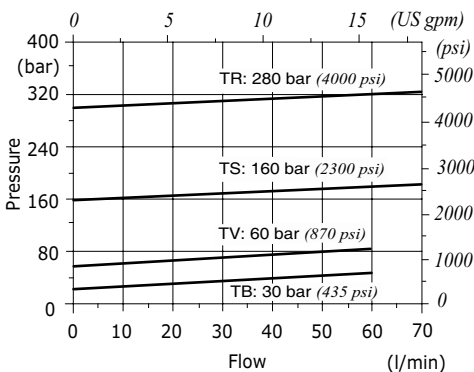
Std. setting @ 5 l/min (1.32 US gpm)


VMP/B/L 5Y 38-12 pressure vs. flow

Std. setting @ 5 l/min (1.32 US gpm)


VMP/B/L 10 12-34 pressure vs. flow

Std. setting @ 5 l/min (1.32 US gpm)


VMP/B/L 20 34-100 pressure vs. flow

Std. setting @ 5 l/min (1.32 US gpm)

