

Type VODL/N78 /... counterbalance valves

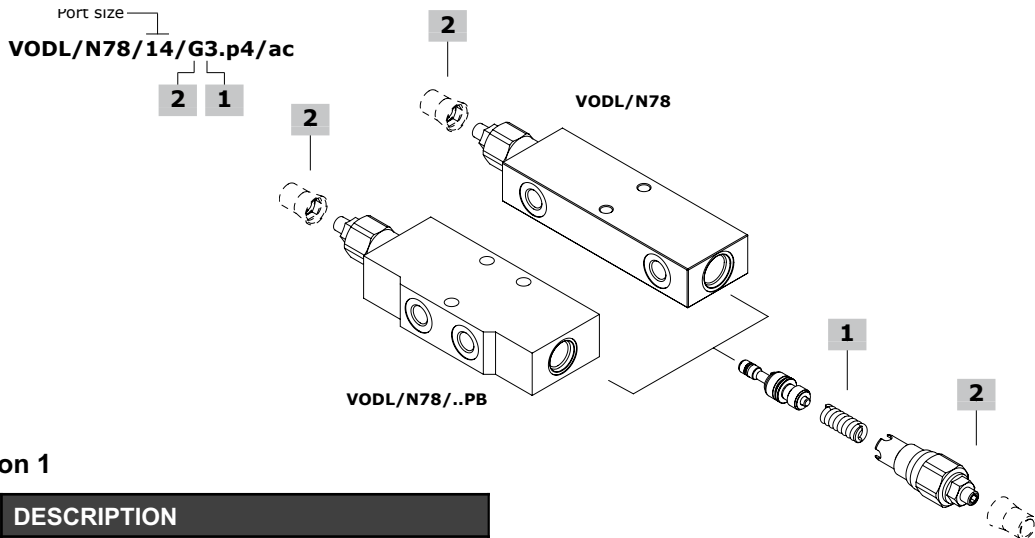
- Double acting
- Load sensitive

Port size —
VODL/N78/14/G3.p4/ac

Type	Selection 1	Selection 2	Nominal flow	Max. pressure	ports	weight
			l/min(US gpm)	bar(psi)		Kg(lb)
VODL/N78/14 P4/ac	3/5	G/Z	40(10.57)	350(5100)	All G1/4	1.25(2.75)
VODL/N78/14PB P4/ac			40(10.57)	350(5100)	All G1/4	1.25(2.75)
VODL/N78/S6 P4/ac			40(10.57)	350(5100)	All SAE6	1.25(2.75)

Hydraulic diagram	Type	Execution	Operation/ Features	Max. flow up to		Max.press. up to	
				l/min	US gpm	bar	psi
	VODL/N78 VODL/N78/PB	double acting	load sensitive	40	10.6	350 steel body	5100 steel body

Ordering codes and description



Selection 1

TYPE	DESCRIPTION
3	For range 60-220 bar (870-3190 psi) standard setting 150 bar (2170 psi) @ 5 l/min (1.32 US gpm)
5	For range 100-350 bar (1450-5075 psi) standard setting 280 bar (4060 psi) @ 5 l/min (1.32 US gpm)

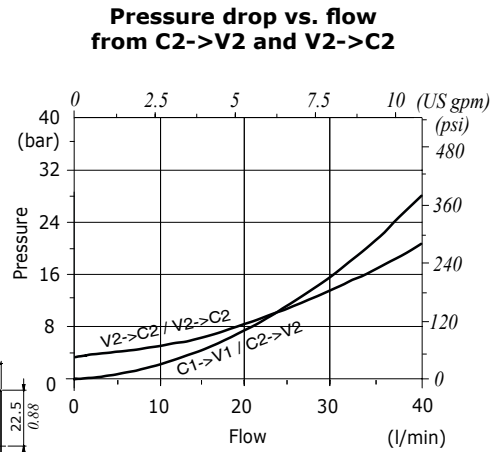
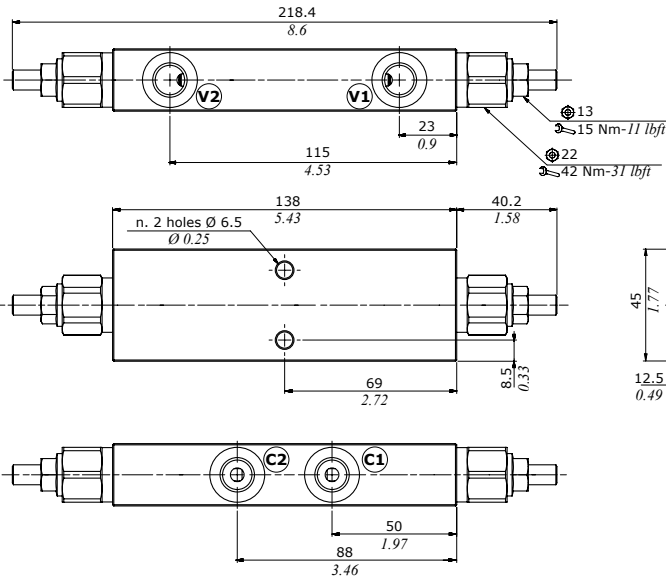
Selection 2

TYPE	DESCRIPTION
G	Screw setting
Z	Antitampering cap

Dimensions

Rating diagrams

VODL/N78/14



VODL/N78/14PB

