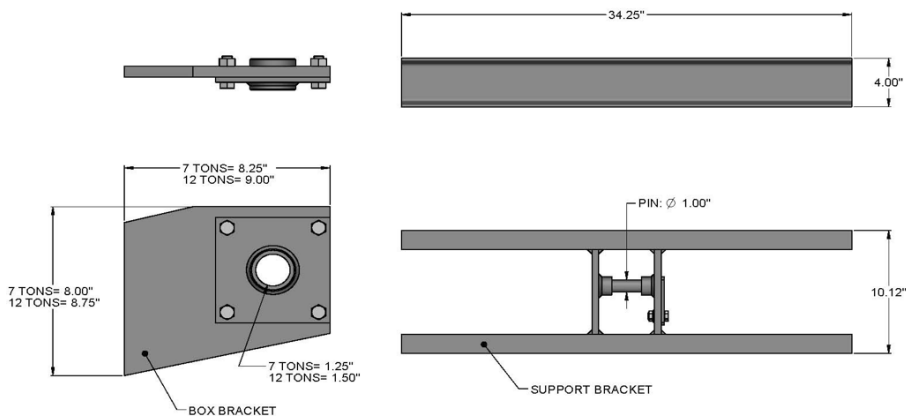


7 TONS-INVERTED TELESCOPIC CYLINDERS (2100 PSI MAX. WORKING PRESSURE)															
PART NUMBER	CAPACITY	STROKE	OUTSIDE DIAMETER	A	B	C	D	E	F	G	H	I	J	PORT	WEIGHT (LBS)
TC7T-078-LD	7 TONS	78"	3.74"	35.50"	7.00"	1.00"	1.89"	1.015"	1.25"	2.10"	1.25"	9.00"	4.25"	SAE-08	86
TC7T-090-LD		90"	3.74"	39.50"											94
TC7T-108-LD		108"	3.74"	45.50"											106

12 TONS-INVERTED TELESCOPIC CYLINDERS (2450 PSI MAX. WORKING PRESSURE)															
PART NUMBER	CAPACITY	STROKE	OUTSIDE DIAMETER	A	B	C	D	E	F	G	H	I	J	PORT	WEIGHT (LBS)
TC12T-078-LD	12 TONS	78"	4.49"	34.75"	7.00"	1.00"	2.00"	1.015"	1.50"	2.10"	1.50"	10.50"	5.04"	SAE 08	99
TC12T-090-LD		90"	4.49"	38.75"											109
TC12T-108-LD		108"	4.49"	44.75"											125
TC12T-120-LD		120"	4.49"	48.75"	13.00"	138									
TC12T-120L-LD		120"	4.49"	48.75"		137									
TC12T-132L-LD		132"	4.49"	52.75"		157									
TC12T-144L-LD		144"	4.49"	56.75"		171									

RETRACTED TOLERANCE ± 1/8"



TELESCOPIC ACCESSORIES	
PART NUMBER	DESCRIPTION
TC-SB	BRACKET FOR 7 AND 12 TONS
TC-S07	BOX BRACKET KIT 7 TONS
TC-S12	BOX BRACKET KIT 12 TONS

*All numbers given are nominal values and should be used for reference only. All product specifications are subject to change without prior notice.