

2500PSI TIE-ROD DOUBLE ACTING CYLINDER WITH:

ROD: Steel 1045, rod with 28-32 HRC hardness, 0.001"chrome thickness. ASTM B117-18 salt spray testing up to 96 hours.

TUBE: Precision honed steel for extended seal life.

GLAND: Ductile Iron, drilled oil passages.

PISTON: Ductile Iron, for increased durability.

END MOUNTS: Ductile Iron female clevis with pins and clips. With 2 ORB ports at 90° to each other for flexibility of assembly.

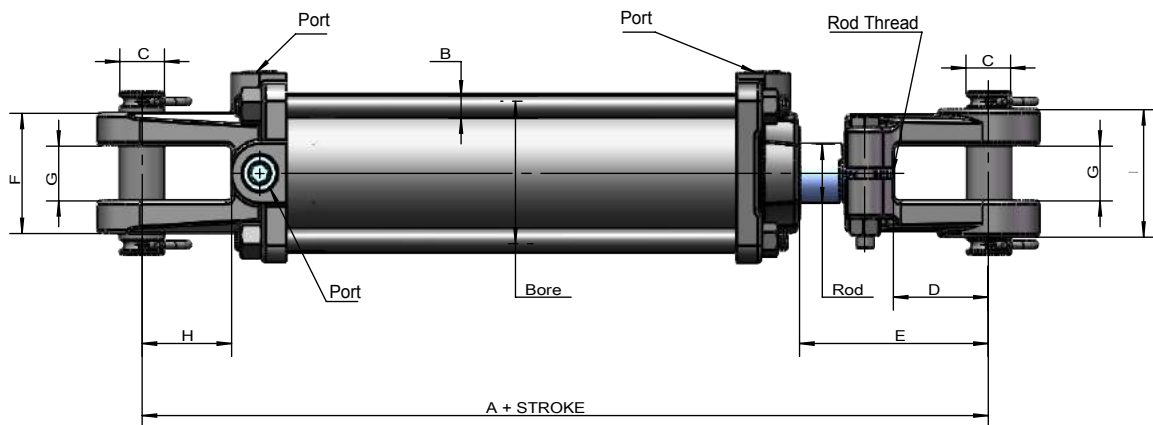
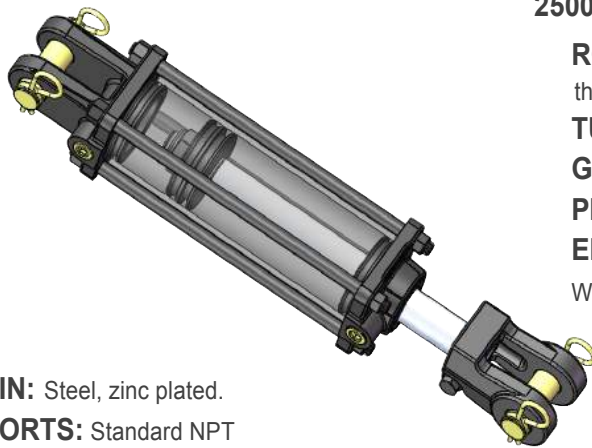
PIN: Steel, zinc plated.

PORTS: Standard NPT
(SAE Available upon request).

ROD CLEVIS: Ductile Iron, thread female clevis with pins and clips included. Adjustable with locking bolt.

SEALS: Top quality, Hallite Brand Seals.

PAINT: High quality paint for corrosion resistance up to 360 hours. Standard color is Black. Custom colors are available.



*All DIMENSIONS ARE INCHES.

BORE	ROD THREAD	PORTS	A	B	C	D	E	F	G	H	I
2.00"	1 1/8-12 UNF	3/8 NPT	10.25"	M10	1.0"	2.125"	3.502"	2.50"	1.165"	2.008"	2.504"
2.50"	1 1/8-12 UNF	3/8 NPT	10.25"	M10	1.0"	2.125"	3.502"	2.50"	1.165"	2.008"	2.504"
3.00"	1 1/4-12 UNF	1/2 NPT	10.25"	M12	1.0"	2.125"	3.502"	2.56"	1.165"	2.008"	2.717"
3.50"	1 1/4-12 UNF	1/2 NPT	10.25"	M14	1.0"	2.125"	3.502"	2.56"	1.165"	2.008"	2.717"
4.00"	1 1/4-12 UNF	1/2 NPT	10.25"	M16	1.0"	2.125"	3.502"	2.76"	1.165"	2.008"	2.717"

For 8.00" ASAE STROKE: A= 12.25"

For 16.00" ASAE STROKE: A= 15.50" , C= 1.25"

For TR2.5-3516-ASAE-LD , Rod diameter is 1.50"

For TR2.5-4016-ASAE-LD, Rod diameter is 2.00"

The LDTR 2500PSI Tie Rod Cylinders were designed in rugged agriculture applications that suitable used in any industry. Each cylinder undergoes rigorous testing for over 50,000 circles with 2500PSI equivalent load. Good reliable quality ensures **2 Years Limited Warranty**.

*All numbers given are nominal values and should be used for reference only. All product specifications are subject to change without prior notice.



2500 PSI TIE-ROD CYLINDER TYPE

PART NUMBER	BORE & STROKE	DIMENSIONS		ROD DIAMETER	PIN SIZE	PORTS	COLUMN LOADS (LBS)	WEIGHT (LBS)
		RETRACTED	EXTENDED					
TR2.5-2004-LD	2"x4"	14 1/4"	18 1/4"	1 1/8"	1"	3/8 NPT	7850	16
TR2.5-2006-LD	2"x6"	16 1/4"	22 1/4"				7850	17
TR2.5-2008-LD	2"x8"	18 1/4"	26 1/4"				7850	19
TR2.5-2008-ASAE-LD	2"x8"	20 1/4"	28 1/4"				7850	20
TR2.5-2010-LD	2"x10"	20 1/4"	30 1/4"				7850	20
TR2.5-2012-LD	2"x12"	22 1/4"	34 1/4"				7850	22
TR2.5-2014-LD	2"x14"	24 1/4"	38 1/4"				7850	24
TR2.5-2016-LD	2"x16"	26 1/4"	42 1/4"				7850	25
TR2.5-2018-LD	2"x18"	28 1/4"	46 1/4"				7850	27
TR2.5-2020-LD	2"x20"	30 1/4"	50 1/4"				6950	28
TR2.5-2024-LD	2"x24"	34 1/4"	58 1/4"				5180	31
TR2.5-2030-LD	2"x30"	40 1/4"	70 1/4"				3570	36
TR2.5-2036-LD	2"x36"	46 1/4"	82 1/4"				2610	41
TR2.5-2040-LD	2"x40"	50 1/4"	90 1/4"				1700	44
TR2.5-2048-LD	2"x48"	58 1/4"	106 1/4"				1570	49
TR2.5-2504-LD	2.5"x4"	14 1/4"	18 1/4"				1 1/8"	1"
TR2.5-2506-LD	2.5"x6"	16 1/4"	22 1/4"	12200	21			
TR2.5-2508-LD	2.5"x8"	18 1/4"	26 1/4"	12200	22			
TR2.5-2508-ASAE-LD	2.5"x8"	20 1/4"	28 1/4"	12200	23			
TR2.5-2510-LD	2.5"x10"	20 1/4"	30 1/4"	12200	24			
TR2.5-2512-LD	2.5"x12"	22 1/4"	34 1/4"	12200	26			
TR2.5-2514-LD	2.5"x14"	24 1/4"	38 1/4"	10300	28			
TR2.5-2516-LD	2.5"x16"	26 1/4"	42 1/4"	8400	29			
TR2.5-2518-LD	2.5"x18"	28 1/4"	46 1/4"	7000	32			
TR2.5-2520-LD	2.5"x20"	30 1/4"	50 1/4"	5900	34			
TR2.5-2524-LD	2.5"x24"	34 1/4"	58 1/4"	4400	38			
TR2.5-2530-LD	2.5"x30"	40 1/4"	70 1/4"	4400	43			
TR2.5-2536-LD	2.5"x36"	46 1/4"	82 1/4"	3400	49			
TR2.5-2540-LD	2.5"x40"	50 1/4"	90 1/4"	2700	54			
TR2.5-2548-LD	2.5"x48"	58 1/4"	106 1/4"	2000	60			
TR2.5-3004-LD	3"x4"	14 1/4"	18 1/4"	1 1/4"	1"	1/2 NPT		
TR2.5-3006-LD	3"x6"	16 1/4"	22 1/4"				17600	26
TR2.5-3008-LD	3"x8"	18 1/4"	26 1/4"				17600	28
TR2.5-3008-ASAE-LD	3"x8"	20 1/4"	28 1/4"				17600	29
TR2.5-3010-LD	3"x10"	20 1/4"	30 1/4"				17600	30
TR2.5-3012-LD	3"x12"	22 1/4"	34 1/4"				17600	33
TR2.5-3014-LD	3"x14"	24 1/4"	38 1/4"				15700	35
TR2.5-3016-LD	3"x16"	26 1/4"	42 1/4"				12800	37
TR2.5-3016-ASAE-LD	3"x16"	31 1/2"	47 1/2"				9200	42

*All numbers given are nominal values and should be used for reference only. All product specifications are subject to change without prior notice.



2500 PSI TIE-ROD CYLINDER TYPE

PART NUMBER	BORE & STROKE	DIMENSIONS		ROD DIAMETER	PIN SIZE	PORTS	COLUMN LOADS (LBS)	WEIGHT (LBS)			
		RETRACTED	EXTENDED								
TR2.5-3018-LD	3"x18"	28 1/4"	46 1/4"	1 1/4"	1"	1/2 NPT	11300	42			
TR2.5-3020-LD	3"x20"	30 1/4"	50 1/4"				9200	44			
TR2.5-3024-LD	3"x24"	34 1/4"	58 1/4"				6700	49			
TR2.5-3030-LD	3"x30"	40 1/4"	70 1/4"	1 1/2"			9600	57			
TR2.5-3036-LD	3"x36"	46 1/4"	82 1/4"				7000	65			
TR2.5-3040-LD	3"x40"	50 1/4"	90 1/4"				5700	70			
TR2.5-3048-LD	3"x48"	58 1/4"	106 1/4"	1 1/4"	1"	1/2 NPT	3900	80			
TR2.5-3504-LD	3.5"x4"	14 1/4"	18 1/4"				24000	29			
TR2.5-3506-LD	3.5"x6"	16 1/4"	22 1/4"				24000	32			
TR2.5-3508-LD	3.5"x8"	18 1/4"	26 1/4"				24000	34			
TR2.5-3508-ASAE-LD	3.5"x8"	20 1/4"	28 1/4"				24000	35			
TR2.5-3510-LD	3.5"x10"	20 1/4"	30 1/4"				24000	37			
TR2.5-3512-LD	3.5"x12"	22 1/4"	34 1/4"				19600	39			
TR2.5-3514-LD	3.5"x14"	24 1/4"	38 1/4"				15700	42			
TR2.5-3516-LD	3.5"x16"	26 1/4"	42 1/4"				12800	44			
TR2.5-3516-ASAE-LD	3.5"x16"	31 1/2"	47 1/2"				1 1/2"	1 1/4"	21100	50	
TR2.5-3518-LD	3.5"x18"	28 1/4"	46 1/4"				1 1/4"	1"	1/2 NPT	10700	47
TR2.5-3520-LD	3.5"x20"	30 1/4"	50 1/4"							9100	49
TR2.5-3524-LD	3.5"x24"	34 1/4"	58 1/4"	1 1/2"	14000	58					
TR2.5-3530-LD	3.5"x30"	40 1/4"	70 1/4"		9600	66					
TR2.5-3536-LD	3.5"x36"	46 1/4"	82 1/4"		7000	74					
TR2.5-3540-LD	3.5"x40"	50 1/4"	90 1/4"	1 1/2"	5800	80					
TR2.5-3548-LD	3.5"x48"	58 1/4"	106 1/4"		3900	91					
TR2.5-4004-LD	4"x4"	14 1/4"	18 1/4"		1 1/2"	1"	1/2 NPT			31400	33
TR2.5-4006-LD	4"x6"	16 1/4"	22 1/4"							31400	36
TR2.5-4008-LD	4"x8"	18 1/4"	26 1/4"	31400						38	
TR2.5-4008-ASAE-LD	4"x8"	20 1/4"	28 1/4"	31400						39	
TR2.5-4010-LD	4"x10"	20 1/4"	30 1/4"	31400						41	
TR2.5-4012-LD	4"x12"	22 1/4"	34 1/4"	31400				44			
TR2.5-4014-LD	4"x14"	24 1/4"	38 1/4"	31400				46			
TR2.5-4016-LD	4"x16"	26 1/4"	42 1/4"	26700				49			
TR2.5-4016-ASAE-LD	4"x16"	31 1/2"	47 1/2"	2"				1 1/4"	31400	63	
TR2.5-4018-LD	4"x18"	28 1/4"	46 1/4"	1 1/2"				1"	1/2 NPT	22300	55
TR2.5-4020-LD	4"x20"	30 1/4"	50 1/4"		18800	58					
TR2.5-4024-LD	4"x24"	34 1/4"	58 1/4"		14000	64					
TR2.5-4024-175-LD	4"x24"	34 1/4"	58 1/4"	1 3/4"	26000	68					
TR2.5-4024-200-LD	4"x24"	34 1/4"	58 1/4"	2"	31400	73					
TR2.5-4030-LD	4"x30"	40 1/4"	70 1/4"		30500	84					
TR2.5-4036-LD	4"x36"	46 1/4"	82 1/4"		22200	95					
TR2.5-4040-LD	4"x40"	50 1/4"	90 1/4"		18200	103					
TR2.5-4048-LD	4"x48"	58 1/4"	106 1/4"		13200	118					

*All numbers given are nominal values and should be used for reference only. All product specifications are subject to change without prior notice.